

## Basic Rack PDU

### Rack PDU, Basic, 1U, 16A, 208V, (12)C13



APC Basic Rack PDU , Input: 208V , Input Connections: NEMA L6-20P , Cord Length: 12 feet ( 3.66 meters ) , Output: 208V , Output Connections: IEC 320 C13

**Includes:** Installation guide, Rack Mounting brackets



**Standard Lead Time:** Usually in Stock

#### AP9566 Features

Vertical mounting capability  
Horizontal mounting capability

#### Basic Rack PDU Features & Benefits

##### Agility

##### Rack-Mountable

Includes horizontal, vertical, and toolless-mount varieties. Puts power where it is needed most - in the racks near the equipment.


##### Single input power source

Supply power from one branch whip to multiple pieces of equipment, conveniently powering rack-mount equipment. Saves time and money during installation by using one branch whip and standard connections.


##### Wide range of input and output connections

Product family includes a variety of input and output connections to distribute 120V, 208V, or 230V power to multiple outlets. Having a variety of inputs and outputs allow users to adapt to varying power requirements. APC offers units that bring up to 14.4kW using a single branch whip.

# Output

Nominal Output Voltage	208V	
Maximum Total Current Draw per Phase	16A	
Output Connections	(12) IEC 320 C13	

# Input

Nominal Input Voltage	208V	
Input Frequency	50/60 Hz	
Regulatory Derated Input Current (North America)	16A	
Input Connections	NEMA L6-20P	
Cord Length	12 feet (3.66 meters)	
Number of Power Cords	1	
Maximum Input Current per phase	20A	
Load Capacity	3328 VA	

## Physical

Net Weight	5.50 lbs. (2.50 kg)
Maximum Height	1.75 inches (44 mm)
Maximum Width	17.60 inches (447 mm)
Maximum Depth	2.25 inches (57 mm)
Shipping Weight	8.00 lbs. (3.64 kg)
Shipping Height	2.75 inches (70 mm)
Shipping Width	18.25 inches (464 mm)
Shipping Depth	9.00 inches (229 mm)
Color	Black

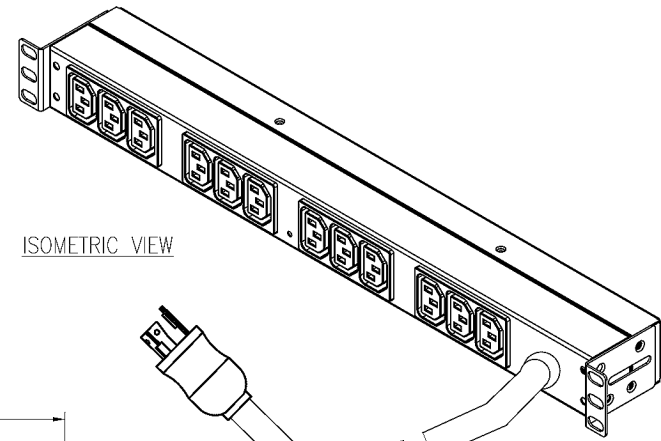
## Environmental

Operating Environment	32 - 113 °F (0 - 45 °C)
Operating Relative Humidity	0%
Operating Elevation	0-10000 feet (0-3000 meters)
Storage Temperature	-13 - 149 °F (-25 - 65 °C)
Storage Relative Humidity	0%
Storage Elevation	0-50000 feet (0-15000 meters)

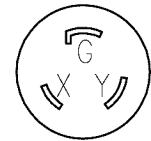
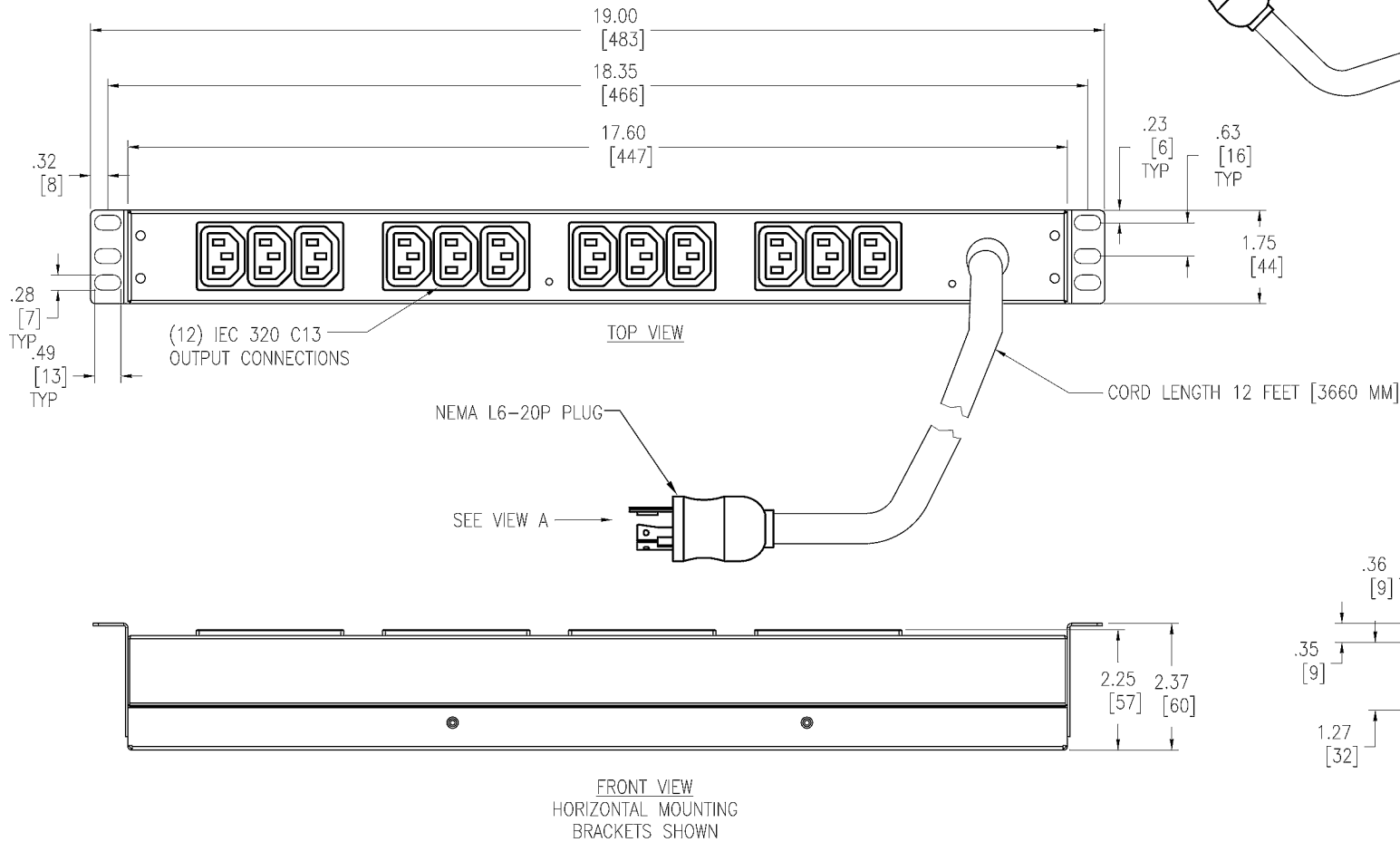
## Conformance

Regulatory Approvals	cUL Listed,CSA,UL 60950,UL Listed
Standard Warranty	2 years repair or replace
ROHS/WEEE Compliance	RoHS 7b Exemption

OPTION 1 – HORIZONTAL MOUNTING



ISOMETRIC VIEW



VIEW A  
NEMA L6-20P  
(ENLARGED)

NOTES:

1. INSTALLATION SHALL COMPLY WITH ALL APPLICABLE NATIONAL, STATE, AND LOCAL CODES
2. PLEASE REFER TO PRODUCT DOCUMENTATION FOR FURTHER INFORMATION.
3. ALL DIMENSIONS ARE IN INCHES [MILLIMETERS].
4. NET WEIGHT IS 5.50 LBS, [2.50 kg].
5. BRACKET KITS TO MOUNT TO SPECIFIC COMPETITORS RACKS ARE AVAILABLE AS OPTIONS.

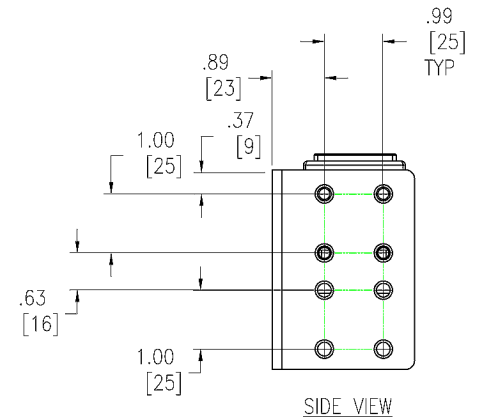
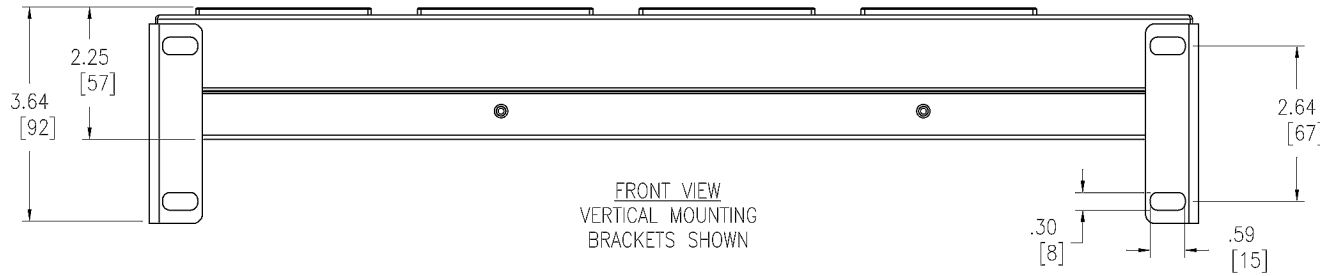
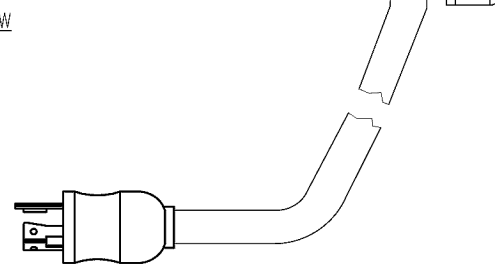
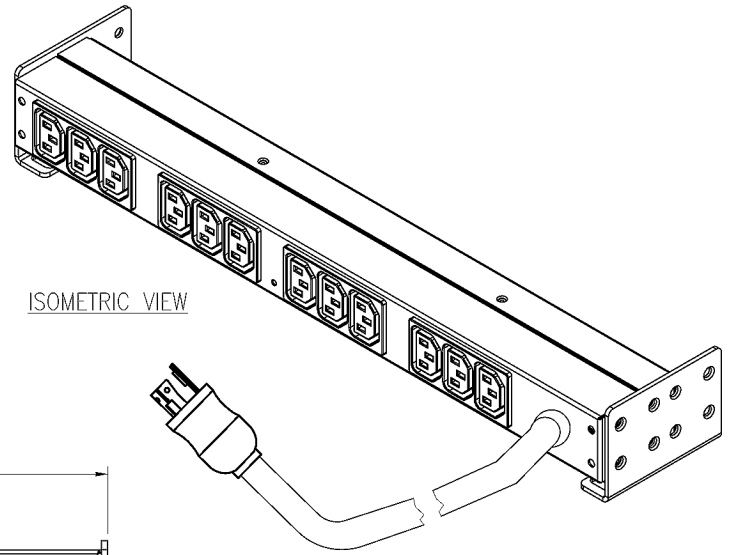
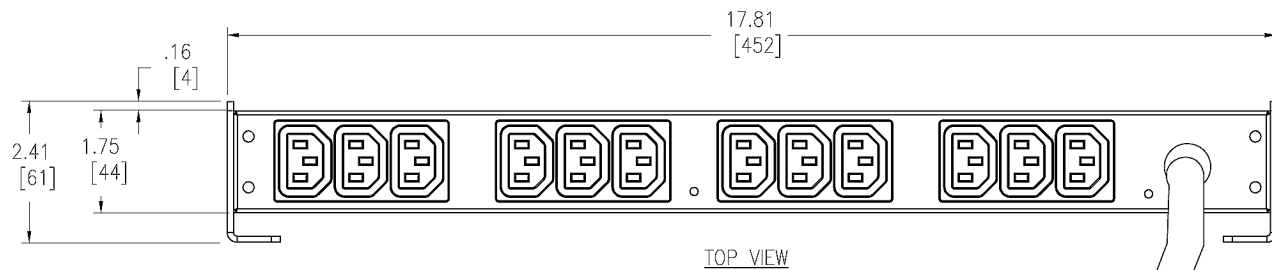
THIS DRAWING AND SPECIFICATIONS HEREIN ARE THE PROPERTY OF AMERICAN POWER CONVERSION AND SHALL NOT BE COPIED, REPRODUCED OR USED IN WHOLE OR IN PART, AS THE BASIS FOR THE MANUFACTURE OR SALE OF ITEMS WITHOUT WRITTEN PERMISSION FROM APC. THIS DRAWING IS BASED UPON LATEST AVAILABLE INFORMATION AND IS SUBJECT TO CHANGE WITHOUT NOTICE.



TITLE:  
RACK, PDU, BASIC, 1U  
INPUT: 208V, 16A, NEMA L6-20P  
OUTPUT: 120V, (12) IEC 320 C13  
MAIN MECHANICAL-HORIZONTAL MOUNTING  
PROJECT: SUBMITTAL DRAWINGS SHEET 1 OF 2

DWG NO:	AP9566	REV:	0
DRAWN:	B ZAHN	THIRD ANGLE PROJECTION	
ENGINEER:	Y JIANG/T HORSTMANN		
APPROVED:	B SHERIDAN		

OPTION 2 – VERTICAL MOUNTING



NOTES:

1. INSTALLATION SHALL COMPLY WITH ALL APPLICABLE NATIONAL, STATE, AND LOCAL CODES
2. PLEASE REFER TO PRODUCT DOCUMENTATION FOR FURTHER INFORMATION.
3. ALL DIMENSIONS ARE IN INCHES [MILLIMETERS].
4. NET WEIGHT IS 5.50 LBS, [2.50 kg].
5. BRACKET KITS TO MOUNT TO SPECIFIC COMPETITORS RACKS ARE AVAILABLE AS OPTIONS.

THIS DRAWING AND SPECIFICATIONS HEREIN ARE THE PROPERTY OF AMERICAN POWER CONVERSION AND SHALL NOT BE COPIED, REPRODUCED OR USED IN WHOLE OR IN PART, AS THE BASIS FOR THE MANUFACTURE OR SALE OF ITEMS WITHOUT WRITTEN PERMISSION FROM APC. THIS DRAWING IS BASED UPON LATEST AVAILABLE INFORMATION AND IS SUBJECT TO CHANGE WITHOUT NOTICE.



TITLE:  
RACK, PDU, BASIC, 1U  
INPUT: 208V, 16A, NEMA L6-20P  
OUTPUT: (12) IEC 320 C13  
MAIN MECHANICAL-VERTICAL MOUNTING  
PROJECT: SUBMITTAL DRAWINGS SHEET 2 OF 2

DWG NO:	AP9566	REV:	0
DRAWN:	B ZAHN	PROJECTION	ANGLE
ENGINEER:	Y JIANG/T HORSTMANN		
APPROVED:	B SHERIDAN		N/A